

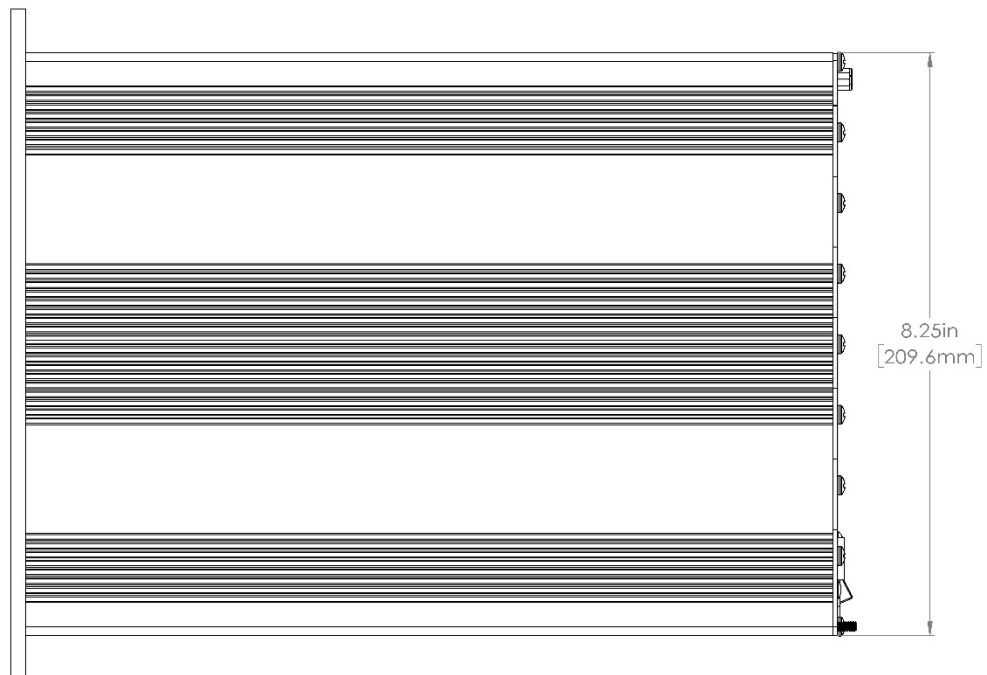
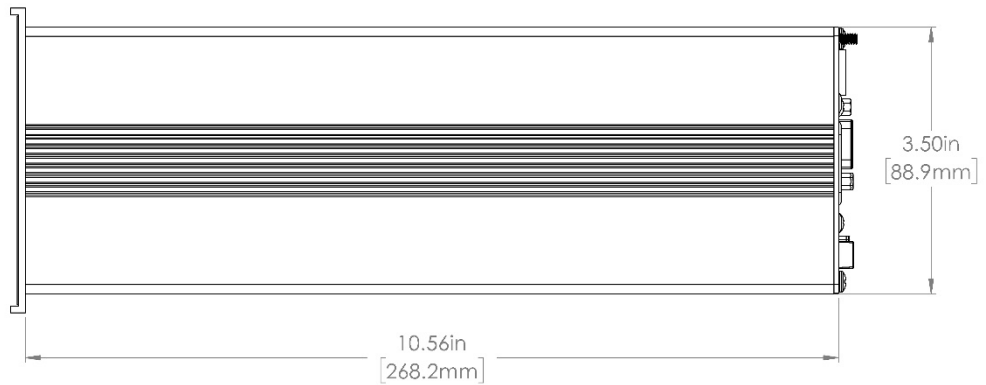
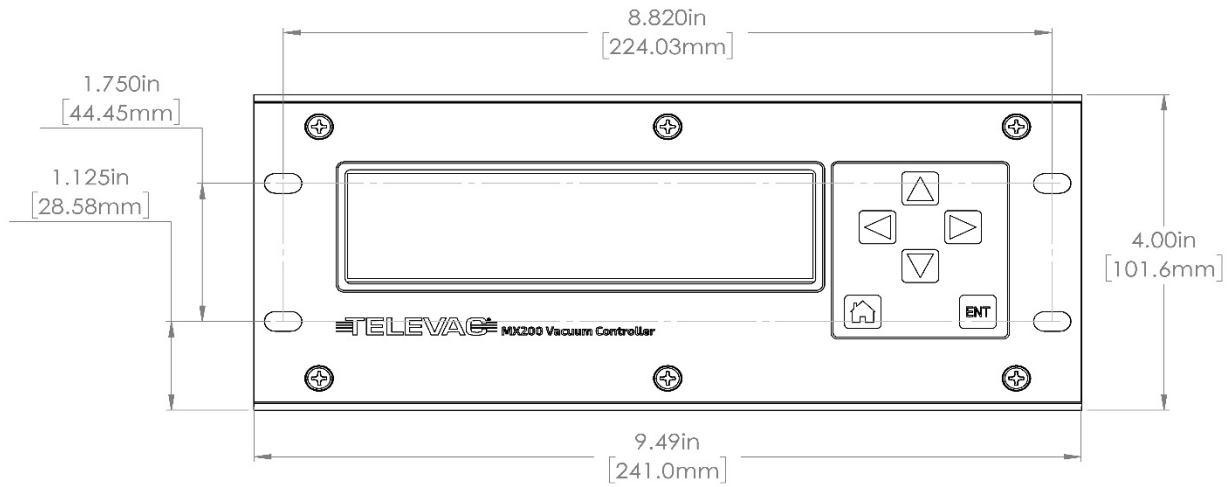






**MX200 Vacuum Controller**  
**Part Number: 2-7900-03X**

**Dimensional Drawings**





## MX200 Vacuum Controller

### Part Number: 2-7900-03X

#### Additional Documentation

Manual	<a href="#">MX200 Instruction Manual</a>
Manual	<a href="#">MX200 EthernetIP Instruction Manual</a>
EDS File	<a href="#">MX200 EthernetIP EDS File</a>
AN3008	<a href="#">MX200 to PC Interfacing and Communications</a>
AN3010	<a href="#">Torr Scientific/Torr Decimal/mTorr/Micron Conversions</a>
AN3015	<a href="#">Recommended Practices for Vacuum Calibration</a>
AN3016	<a href="#">MX200 EthernetIP Loading EDS Files for Rockwell Automation Allen-Bradley CompactLogix PLCs</a>
AN3017	<a href="#">MX200 EthernetIP Setup and Troubleshooting Guide</a>
AN3020	<a href="#">Vacuum Terminology Reference</a>
AN3029	<a href="#">Creating and Mapping Class 3 Connections for Rockwell Automation Allen-Bradley CompactLogix PLCs</a>
Article	<a href="#">Case Study: Argonne National Laboratory</a>
Resource	<a href="#">Televac® Tolerances</a>

#### Company Information

##### Specialty manufacturing services that promise precision -

For more than 85 years, Fredericks has specialized exclusively in tilt and vacuum measurement products. Today, our precise manufacturing processes produce the most accurate and advanced products on the market, ensuring perfection every time. A true specialty service provider, we are willing and eager to put our experience and capabilities to good use, helping OEMs achieve even the most complex designs.

##### High performance products designed and manufactured with pride -

Fredericks is a global provider and U.S. manufacturer and designer of high-performance tilt and vacuum measurement products. Built to last, our products are made with state-of-the-art sensing technology, proven processes, and an intrinsic passion for the trade. Offering simple integration and quality and safety benchmarks, our customers benefit not just from standard-setting reliability, but from our commitment to competitive pricing and performance.

##### A partnership that prioritizes uptime, lead time, and service -

Fredericks guarantees customer satisfaction and our 'not too big, not too small' operation is what enables us to offer a true partnership experience. Our dedicated representatives and engineers offer exceptionally responsive service and some of the fastest lead times in the industry, knowing that uptime is the key to your success. With anytime-access to our leadership team and solutions that enhance your products, you will feel the Fredericks difference.

##### Vacuum measurement tools built for the toughest jobs -

Fredericks' world-class vacuum sensors, gauges, and control instrumentation are engineered for the most demanding applications and environments. Our patented Televac® and ETI vacuum brands feature cold-cathode technology, thermocouple and convection gauges, and precision-manufactured hot ionization gauges. Dedicated solely to vacuum gauging and calibration services, we provide industrial heating, national laboratories, cryogenics, and industrial gas applications, among many others, with fast lead times and industry-leading performance. Covering the entire practical vacuum range, our products deliver rapid response vacuum readings and superior sensitivity.

#### Contact Us

The Fredericks Company  
 2400 Philmont Avenue  
 Huntingdon Valley, PA 19006  
 tel: +1 215 947 2500  
 fax: +1 215 947 7464  
 email: [sales@frederickscompany.com](mailto:sales@frederickscompany.com)  
 web: [www.frederickscompany.com](http://www.frederickscompany.com)

Disclaimer: Specifications subject to change without notice. The Fredericks Company assumes no responsibility for inaccuracies in product specifications or any liability arising from product use.  
 © 2022 The Fredericks Company