



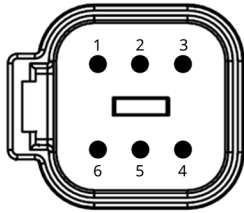


# ApexTwo™ ±60° Dual-Axis Analog Inclinometer

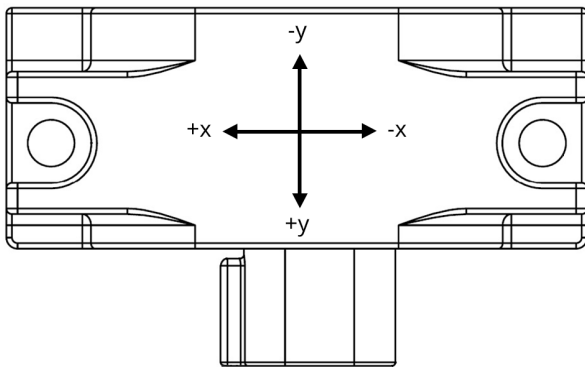
## Part Number: F260-21A-018-00

### Electrical Connections

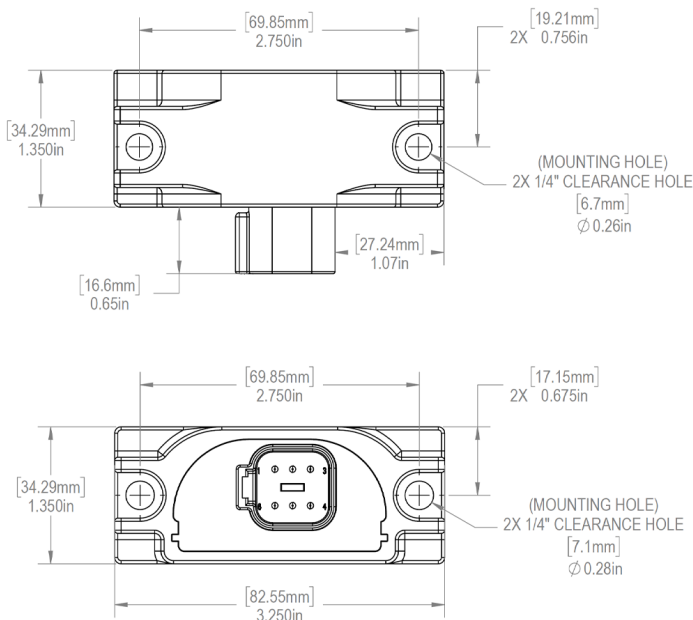
Pin 1	Supply (+), 10 to 30 V DC
Pin 2	Analog Out X Axis (+)
Pin 3	Analog Out Y Axis (+)
Pin 4	Ground
Pin 5	Ground
Pin 6	Shield



### Direction of Measurement



### Dimensional Drawings



### Mounting Notes

The ApexTwo™ inclinometer includes two sets of orthogonal (perpendicular) mounting holes, allowing the end user to mount the unit vertically or horizontally.

### Certifications and Ratings

- Pending CE certification to EN 55011, EN 61000
- RoHS, REACH compliant
- IP67 environmentally sealed

### Additional Documentation

- [Online Tool](#)    [Analog Output Conversion Tool](#)
- [Video](#)    [What Is an Electrolytic Tilt Sensor?](#)

### Company Information

**Specialty Manufacturing Services That Promise Precision** - Since 1935, The Fredericks Company has been a global provider and U.S. designer and manufacturer of the highest performance tilt and vacuum measurement products on the market, with manufacturing processes that ensure the reliability of our products.

**Tilt Measurement Products and Sensors That Set Standards** - Fredericks' comprehensive tilt measurement product portfolio offers [electrolytic tilt sensors](#), [inclinometers](#), and [tilt switches](#). Engineered to outperform competing technology, our tilt sensors are accurate and repeatable with excellent resolution. Our tilt measurement products have no planned obsolescence and serve industries ranging from [construction](#) and [RV leveling](#) to aerospace applications and everything in between.

**A Partnership That Prioritizes Uptime, Lead Time, and Service** - Fredericks guarantees customer satisfaction and our "not too big, not too small" operation is what enables us to offer a true partnership experience. Our dedicated representatives and engineers offer exceptionally responsive service and the fastest lead times in the industry, knowing that uptime is the key to your success. With anytime access to our leadership team and solutions that enhance your products, you will feel the Fredericks difference.

### Contact Us

The Fredericks Company  
 2400 Philmont Avenue  
 Huntingdon Valley, PA 19006  
 tel: +1 215 947 2500  
 fax: +1 215 947 7464  
 email: [sales@frederickscompany.com](mailto:sales@frederickscompany.com)  
 web: [www.frederickscompany.com](http://www.frederickscompany.com)

Disclaimer: Specifications are subject to change without notice. The Fredericks Company assumes no responsibility for inaccuracies in product specifications or any liability arising from product use.

© 2024 The Fredericks Company