

±10 to ±45° Programmable Dual-Axis Tilt Switch

Part Number: 0729-1763-XX

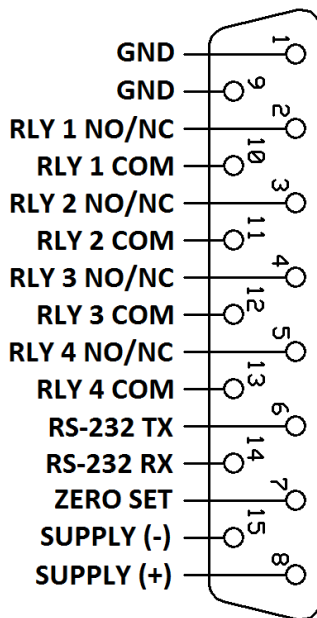


Wiring Connections

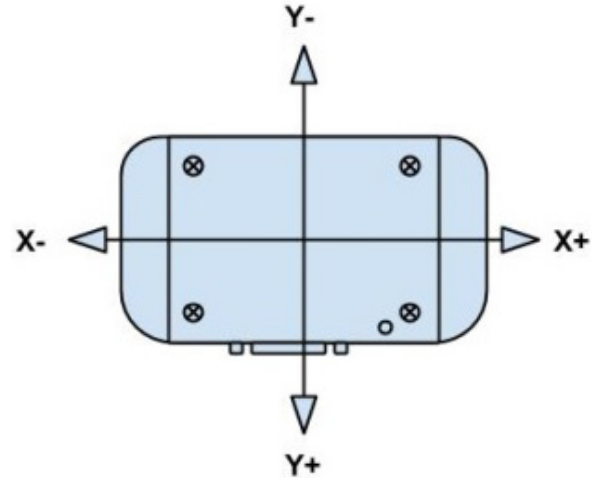
Description	Color	Pin Number
Power input	Red	8
Common	Red	1
	Black	9
Zero Wire	Black	15
	Orange	7
Relay 1 (IN)	White	2
Relay 1 (COM)	Black	10
Relay 2 (IN)	Green	3
Relay 2 (COM)	Black	11
Relay 3 (IN)	Yellow	4
Relay 3 (COM)	Black	12
Relay 4 (IN)	Blue	5
Relay 4 (COM)	Black	13

(Setup via RS-232 link)

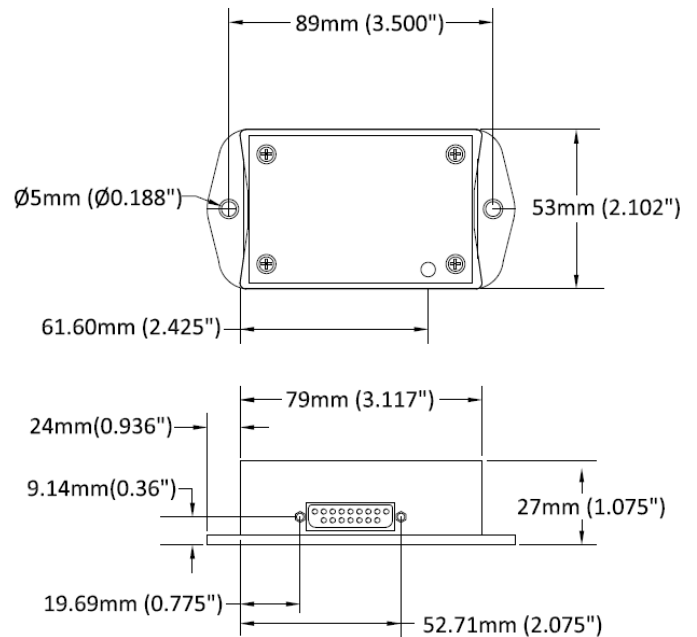
RS-232 Input	Black	14
RS-232 Output	Brown	6



Direction of Measurement



Dimensional Drawings



Mounting Notes

The 0729-1763-XX must be mounted horizontally (parallel to the surface of the earth and perpendicular to the force of gravity). For best performance, isolate the unit from vibrations when mounting it.

Certifications and Ratings

- IP66
- CE certified to CFR 47 FCC Part 15 Subpart B, EN 55011:2009/A1:2010, EN 61326-1:2006

Additional Documentation

- Manual [0729-1763-XX Instruction Manual](#)
- AN1001 [Temperature Compensation of Electrolytic Tilt Sensors](#)
- AN1003 [Configuring Tera Term for Use with TFC Tilt Products](#)



±10 to ±45° Programmable Dual-Axis Tilt Switch
Part Number: 0729-1763-XX

Company Information

Specialty Manufacturing Services That Promise Precision - Since 1935, The Fredericks Company has been a global provider and U.S. designer and manufacturer of the highest performance tilt and vacuum measurement products on the market, with manufacturing processes that ensure the reliability of our products.

Tilt Measurement Products and Sensors That Set Standards - Fredericks' comprehensive tilt measurement product portfolio offers [electrolytic tilt sensors](#), [inclinometers](#), and [tilt switches](#). Engineered to outperform competing technology, our tilt sensors are accurate and repeatable with excellent resolution. Our tilt measurement products have no planned obsolescence and serve industries ranging from [construction](#) and [RV leveling](#) to aerospace applications and everything in between.

A Partnership That Prioritizes Uptime, Lead Time, and Service - Fredericks guarantees customer satisfaction and our "not too big, not too small" operation is what enables us to offer a true partnership experience. Our dedicated representatives and engineers offer exceptionally responsive service and the fastest lead times in the industry, knowing that uptime is the key to your success. With anytime access to our leadership team and solutions that enhance your products, you will feel the Fredericks difference.

Contact Us

The Fredericks Company
2400 Philmont Avenue
Huntingdon Valley, PA 19006
tel: +1 215 947 2500
fax: +1 215 947 7464
email: sales@frederickscompany.com
web: www.frederickscompany.com

Disclaimer: Specifications subject to change without notice. The Fredericks Company assumes no responsibility for inaccuracies in product specifications or any liability arising from product use.
© 2022 The Fredericks Company