

2V6 Thermocouple Vacuum Gauge

Part Number: 2-2111-0XX

Operating Specifications

Operating Range	1 x 10 ⁻³ Torr to 1 Torr
Analog Output	Controller-dependent
Maximum Filament Temperature	250° C
Mounting Orientation	Any
Calibration Medium	Dry air or nitrogen
Overpressure	300 PSIG
Analog Output Resolution	Controller-dependent
Operating Temperature	0 °C to 50 °C
Storage Temperature	-40 °C to 85 °C
Maximum Bakeout Temperature	100°C
Response Time	100 ms (from 1 mTorr to Atm.)
Accuracy	
1 to 10 mTorr	±1 mTorr
10 to 1000 mTorr	±5% of reading

Physical Characteristics

Electrical Connections	Octal male
Material	Exterior: Stainless Steel Header: Nickel Plated Kovar
Weight	60 g (0.13 lbs.) (1/8" NPT)
Dimensions	See Dimensional Drawings
Height	76 mm (3.0")
Width	32 mm (1.25")

Materials Exposed to Vacuum

Stainless Steel
Glass
Nickel

Benefits

- Competitively priced
- Compact, robust design
- Compatible with many different manufacturers' equipment
- Excellent resolution and repeatability
- Minimal sensor to sensor output variation
- Excellent customer support

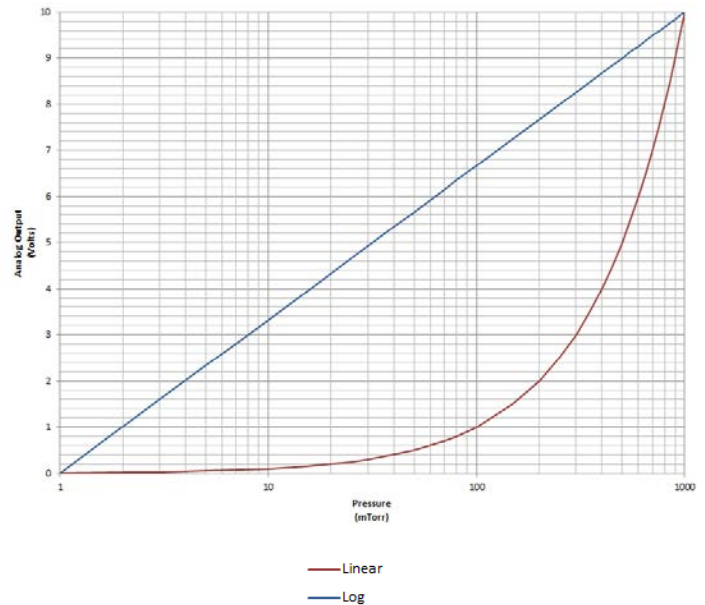
Description

The 2V6 vacuum gauge is a direct replacement for the Teledyne-Hastings DV-6M vacuum gauge. No adjustments are needed when used with appropriate Televac, Teledyne Hastings, VRC, or Varian instruments and controllers. These thermocouple vacuum gauges are a robust solution and can withstand overpressure of up to 300 PSI.

The ideal vacuum controller to read from the 2V6 is the Televac VacuGuard. This low-cost digital instrument is fully self-contained and powered by a 1.5-volt battery. It will operate the 2V6, as well as our Televac VacuMini and our standard 2A thermocouple vacuum gauge. See page two under related products for more information.



Analog Output Behavior



Ratings and Compliance

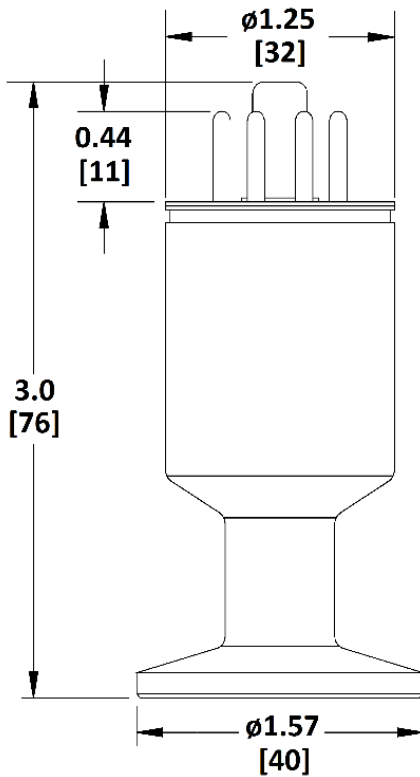
- RoHS compliant

2V6 Thermocouple Vacuum Gauge

Part Number: 2-2111-0XX



Dimensional Drawings



*NW25 SS Fitting

Ordering Information

2V6 Sensor	2-2111-0XX
Vacuum Fittings	XX
1/8" NPT Stainless Steel	01
1/2" Straight Stainless Steel	11

Related Products

Description	Part Number
VacuGuard Portable Vacuum Controller	2-3001-102
VacuGuard with 2A/DV4/DV6 Cable	2-3001-105
VacuGuard with 2A/DV4/DV6 cable, carry case, rechargeable battery, and battery charger	2-3001-106
DV4/DV6 cable, coiled, 10 ft (3 m)	1-2400-036
Televac 2A Sensor	1-2100-10
	1-2100-0XX
	1-2126-0XX
Televac 2A VacuMini Sensor	2-2100-102

Visit our website at www.frederickscompany.com for a full list of products and product applications.

Contact Us

Televac
 The Fredericks Company
 2400 Philmont Avenue
 Huntingdon Valley, PA 19006
 tel: +1 215 947 2500
 fax: +1 215 947 7464
 email: sales@frederickscompany.com
 web: www.frederickscompany.com

Disclaimer: Specifications subject to change without notice. The Fredericks Company assumes no responsibility for inaccuracies in product specifications or any liability arising from product use.
 ©2020 The Fredericks Company