

## Dual Axis RS-232 Inclinometer

Part Number: **0729-1752-99**

### Operating Specifications

Interface	RS-232
Supply Voltage	3.3 V DC to 5 V DC
Supply Current	11 mA (3.3 V) 16 mA (5 V)
Analog Input Resolution	16 bits (10 bits oversampled)
Operating range	±60°
Linear Range	±25°
Axes of Measurement	2
Repeatability	±0.1°
Resolution	≤0.004°
Null Offset	±5°
Long Term Stability/Drift	≤0.1°
Null Temperature Coefficient	≤0.006° per °C
Scale Temperature Coefficient	0.1% per °C
Operating Temperature	-40 °C to 85 °C
Storage Temperature	-40 °C to 125 °C
Temperature Sensor Range	-40 °C to 125 °C
Time Constant (63.2% of output)	≤100 ms

### Physical Characteristics

Housing	None (PCBA)
Electrical Connections	7 Pin, 2.54 mm (0.1") spacing
Weight	5.7 g
Length	26.7 mm (1.05")
Width	31.8 mm (1.25")
Height	16 mm (0.64")
Hole Center	26.7 mm (1.05")

### RS-232 Commands

X	X axis output (0 to 65535)
Y	Y axis output (0 to 65535)
T	Temperature output (0 to 1023)
S	Output X, Y, temperature at set intervals
R	Stop timed interval output
1, 2, 3, 4, 5	Delay (in seconds) for set intervals
@Z#	Set current position as zero
&C*	Clear saved zero position

### Electrical Connections

J1 Pin 1 (+5)	Supply (+)
J1 Pin 2 (C)	Supply (-)
J1 Pin 3 (C)	Ground
J1 Pin 4 (OUT)	RS-232 transmit (TX)
J1 Pin 5 (IN)	RS-232 receive (RX)
J1 Pin 6 (C)	Ground
J1 Pin 7 (C)	Ground
L1	Dual axis sensor connection
J3	Single axis sensor x axis connection
J4	Single axis sensor y axis connection

### Certifications and Ratings

- RoHS



### Description

The 0729-1752-99 dual axis RS-232 inclinometer includes the 0717-4318-99 Fredericks TrueTilt™ wide-range, dual-axis electrolytic tilt sensors and 1-6200-006 signal conditioning electronics. This inclinometer has superior tolerances and unit to unit performance with an economic design, making it an excellent solution for a variety of applications in many markets and industries.

### Benefits

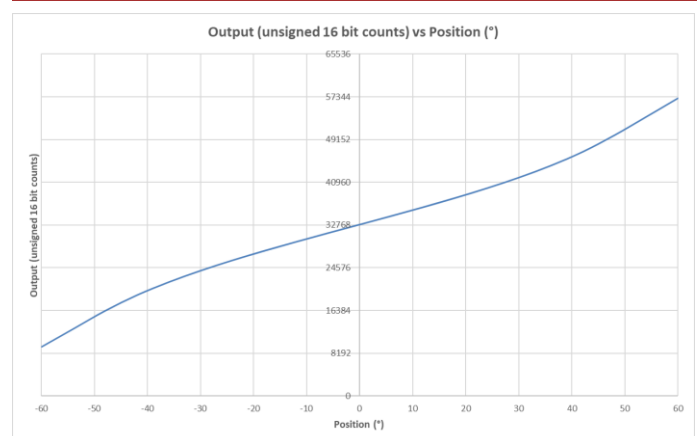
- Exceptionally high resolution, repeatability, and accuracy
- Very low power consumption
- Extremely long service life with less drift than MEMS tilt sensors
- Superior performance in extreme temperatures/environments
- Excellent customer support
- Designed and manufactured in the United States of America

### Applications

- Construction, agricultural, and forestry vehicles and machinery
- Aerial work platforms (AWP), elevating work platforms (EWP)
- Mobile elevating work platforms (MEWPS)
- Scissor lifts (height sensor)
- Telescopic and articulating boom lifts (boom angle sensor)
- Solar tracking

View a full list of applications on The Fredericks Company website at [www.frederickscompany.com](http://www.frederickscompany.com).

### Operating Range Output Behavior

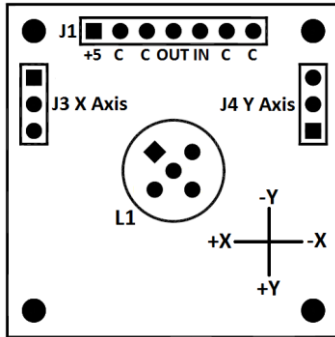


## Dual Axis RS-232 Inclinometer

Part Number: **0729-1752-99**



### Pin Diagram and Direction of Measurement



### Mounting Notes

The 0729-1752-99 and all inclinometers in this series must be mounted horizontally (parallel to the surface of the earth and perpendicular to the force of gravity). For best performance, isolate the unit from vibrations when mounting it.

### Related Products

#### Dual Axis Electrolytic Inclinometers (PCBA)

- 0729-1751-99 ±60° range, SPI communications
- 0729-1753-99 ±60° range, analog and PWM output
- 0729-1754-99 ±60° range, RS-485 communications

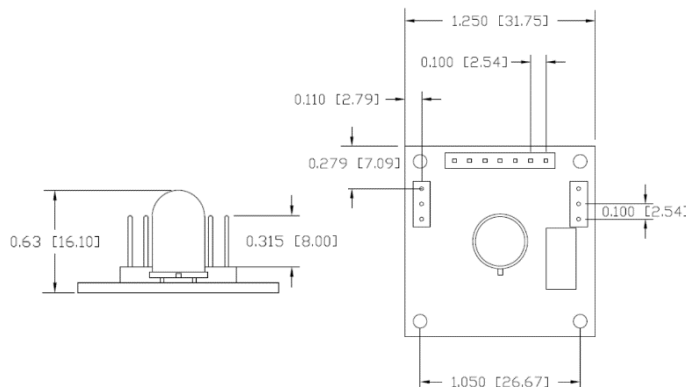
#### Dual Axis Electrolytic Inclinometers (Enclosed, IP67)

- 0729-1755-99 ±60° range, analog 0 to 5 V DC output
- 0729-1759-99 ±60° range, RS-232 communications
- 0729-1760-99 ±60° range, RS-485 communications
- 0729-1760-04 ±10° range, RS-485 communications

#### Dual Axis MEMS Inclinometers (Enclosed, IP67)

- 0750-9002-99 ±90° range, RS-485 communications
- 0750-3002-99 ±30° range, RS-485 communications
- 0751-9002-99 ±90° range, analog 0.5 to 4.5 V DC output
- 0751-3002-99 ±30° range, analog 0.5 to 4.5 V DC output

### Dimensional Drawings



### Example RS-232 Command and Response Byte Values

Retrieve X axis tilt value which returns 32768 (0° tilt):

#### Command

Byte	1
ASCII	X
Hex	0x58

#### Response

Byte	1	2	3	4	5	6	7
ASCII	3	2	7	6	8	<lf>	<cr>
Hex	0x33	0x32	0x37	0x36	0x38	0x0A	0x0D

### Converting Temperature Values

The board temperature output is a 10 bit value (0 to 1023). To convert that value to a temperature in °C, use the following equation:

$$\text{Temperature in } ^\circ\text{C} = (((\text{output}/1023) * \text{supply voltage}) - 0.5) / 0.01$$

### Company Information

**Tilt measurement products and sensors that set standards** - Fredericks' comprehensive TrueTilt™ tilt sensor product portfolio offers electrolytic tilt sensors, inclinometers, and tilt switches. Patented and engineered to outperform competing technology, our tilt sensors are not just repeatable, but highly accurate with high resolution. Our tilt measurement products have no planned obsolescence and serve industries ranging from construction and RV leveling to aerospace and everything in between.

**High performance products designed and manufactured with pride in the USA** - For more than 80 years Fredericks has been a global provider and U.S. manufacturer of high performance tilt measurement products. Built to last, our products are made with state-of-the-art sensing technology, proven processes, and an intrinsic passion for the trade. Offering simple integration and quality and safety benchmarks, our customers benefit not just from standard-setting reliability, but from our commitment to competitive pricing and performance.

### Contact Us

The Fredericks Company  
2400 Philmont Avenue  
Huntingdon Valley, PA 19006 USA  
email: [sales@frederickscompany.com](mailto:sales@frederickscompany.com)  
web: [www.frederickscompany.com](http://www.frederickscompany.com)  
tel: +1 215 947 2500  
fax: +1 215 947 7464

Disclaimer: Specifications subject to change without notice. The Fredericks Company assumes no responsibility for inaccuracies in product specifications or any liability arising from product use.  
© 2018 The Fredericks Company