

## VacuGuard™ Portable Vacuum Controller

Part Number: 2-3001-10X

Operating Specifications	
Operating Range	1x10 <sup>-3</sup> Torr to 20 Torr
Display	Digital
Digital Communications	None
Analog Output	None
Programmable Set Points	None
Battery	D cell, 1.5 V DC
Battery Life	Up to 40 hours
Calibration Medium	Dry air or nitrogen
Overpressure	Sensor-dependent
Operating Temperature	0 °C to 50 °C
Storage Temperature	-20 °C to 60 °C
Bakeout Temperature	Sensor-dependent
Response Time	≤ 1 s
Accuracy	
1 mTorr to 10 mTorr	±1 mTorr
10 mTorr to 100 mTorr	±10% of reading
100 mTorr to 1000 mTorr	±20% of reading
>1000 mTorr	Indication only
Display Readable Distance	1 m (3 ft)

Ordering Information (sensor not included)	
Instrument and Kits	Part Number
VacuGuard only	2-3001-102
VacuGuard, 2A cable, bag	2-3001-103
VacuGuard, 2A mini cable, carry case	2-3001-104
VacuGuard, 2A/DV4/DV6 cable	2-3001-105
VacuGuard, 2A/DV4/DV6 cable, carry case, rechargeable battery, and battery charger	2-3001-106
Cables	Part Number
2A cable, coiled, 10 ft (3 m)	2-9800-081
NASA/mini 2A cable, coiled, 10 ft (3 m)	2-9800-082
DV4/DV6 cable, coiled, 10 ft (3 m)	1-2400-036
Accessories	Part Number
110 V AC battery charger	1-5400-024
NiCd rechargeable D cell battery (pack of 2)	1-5400-025
Carry case	1-6100-001

Compatible Sensors	
Description	Part Number
Televac 2A Nickel-Plated Brass 1/8" NPT	2-2100-10
Televac 2A Stainless Steel 1/8" NPT	2-2126-001
Televac NASA Mini 2A	2-2100-31
Televac Vacumini 2A	2-2100-102
Competing DV4/DV6 Thermocouples	See manufacturer

Other flanges and fittings are available for the standard Nickel-Plated Brass and Stainless Steel 2A sensor, see more information at <http://www.frederickscapany.com/products/2a-thermocouple/>.

Physical Characteristics	
Enclosure	Stainless steel
Weight with Sensor (typical)	0.7 kg (1.5 lbs)
Dimensions	See dimensional drawing



**Description**

The Televac® VacuGuard™ Portable Thermocouple Controller can be used to read any Televac 2A thermocouple sensor or competing DV4/DV6 thermocouple sensors. It has a variety of features including an easy to read digital display and a single use or rechargeable D cell battery that lasts up to 40 hours. The VacuGuard has an optional coiled cable and carrying bag to minimize hassle while taking measurements in the field.

- Applications**
- Cryogenics
  - Field service applications

Visit the Televac website for more information about applications: <http://www.frederickscapany.com/televac-vacuum-measurement/>.

**Materials Exposed to Vacuum (sensors)**

Nickel Plated Brass 2A Sensors	Stainless Steel 2A Sensors
Gold	Gold
Solder	Glass
Glass	Alloy 52
Alloy 52	304 Stainless Steel
Nickel	Tophet
Tophet	Cupron
Cupron	

- Benefits**
- Competitively priced
  - Very compact design
  - Lightweight and portable
  - Excellent customer service and support
  - Rapid turn-around for calibration and service
  - Designed and manufactured in the USA

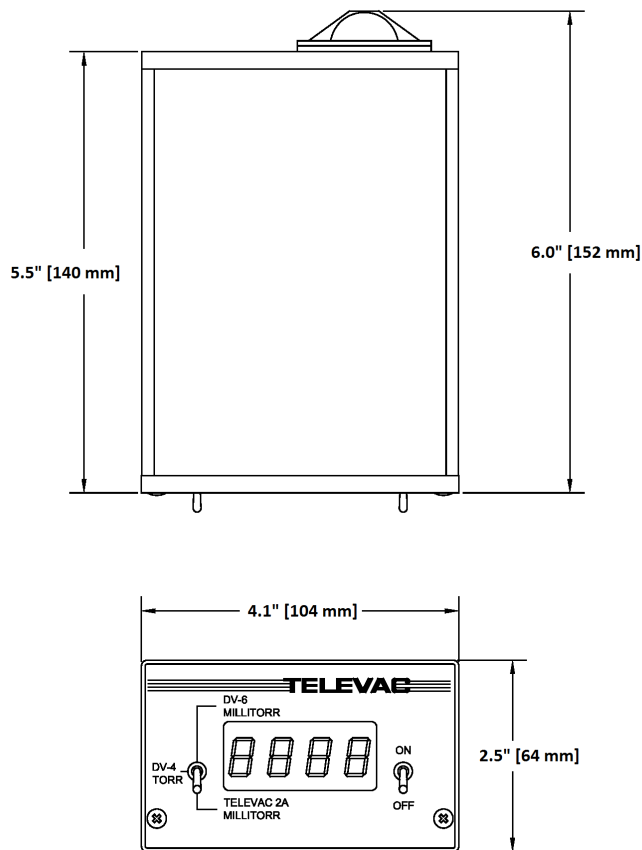
- Ratings and Compliance**
- IP50

**Related Products**

Description	Part Number
B2A Portable Controller	2-3001-10X
MV2A Controller	2-7900-07X



### Dimensional Drawing



### Company Information

**Specialty manufacturing services that promise precision** - For more than 80 years, Televac has specialized exclusively in tilt and vacuum measurement products. Today, our precise manufacturing processes produce the most accurate and advanced products on the market, ensuring perfection every time. A true specialty service provider, we are willing and eager to put our experience and capabilities to good use, helping OEMs and end users achieve even the most complex designs.

**High performance products designed and manufactured with pride in the USA** - Televac is a global provider and U.S. manufacturer and designer of high performance vacuum measurement products. Built to last, our products are made with state-of-the-art sensing technology, proven processes, and an intrinsic passion for the trade. Offering simple integration and quality and safety benchmarks, our customers benefit not just from standard-setting reliability, but from our commitment to competitive pricing and performance.

**A partnership that prioritizes uptime, lead time, and service** - Televac guarantees customer satisfaction and our 'not too big, not too small' operation is what enables us to offer a true partnership experience. Our dedicated representatives and engineers offer exceptionally responsive service and some of the fastest lead times in the industry, knowing that uptime is the key to your success. With anytime-access to our leadership team and solutions that enhance your products, you will feel the Fredericks difference.

**Vacuum measurement tools built for the toughest jobs** - Televac's world-class vacuum sensors, gauges, and control instrumentation are engineered for the most demanding applications and environments. Our Televac® and ETI vacuum brands feature cold-cathode technology, thermocouple and convection gauges, and precision-manufactured hot ionization gauges. Dedicated solely to vacuum gauging and calibration services, we provide industrial heating, national laboratories, cryogenics, and industrial gas applications, among many others, with fast lead times and industry-leading performance. Covering the entire practical vacuum range, our products deliver rapid response vacuum readings and superior sensitivity.

### Contact Us

Televac® - The Fredericks Company  
2400 Philmont Avenue  
Huntingdon Valley, PA 19006

tel: +1 215 947 2500

fax: +1 215 947 7464

email: [sales@frederickscompany.com](mailto:sales@frederickscompany.com)

web: [www.frederickscompany.com](http://www.frederickscompany.com)

Disclaimer: Specifications subject to change without notice. The Fredericks Company assumes no responsibility for inaccuracies in product specifications or any liability arising from product use.  
© 2017 The Fredericks Company